

13 common causes of motor failure

Application Note

What to look for and how to improve asset uptime

Motors are used everywhere in industrial environments and they are becoming increasingly complex and technical, sometimes making it a challenge to keep them running at peak performance. It's important to remember that the causes of motor and drive issues are not confined to a single domain of expertise—both mechanical and electrical issues can lead to motor failure—and being armed with the right knowledge can mean the difference between costly downtime and improved asset uptime.

Winding insulation breakdown and bearing wear are the two most common causes of motor failure, but those conditions arise for many different reasons. This article demonstrates how to detect the 13 most common causes of winding insulation and bearing failure in advance.

Power quality

1. Transient Voltage
2. Voltage Imbalance
3. Harmonic Distortion

Variable frequency drives

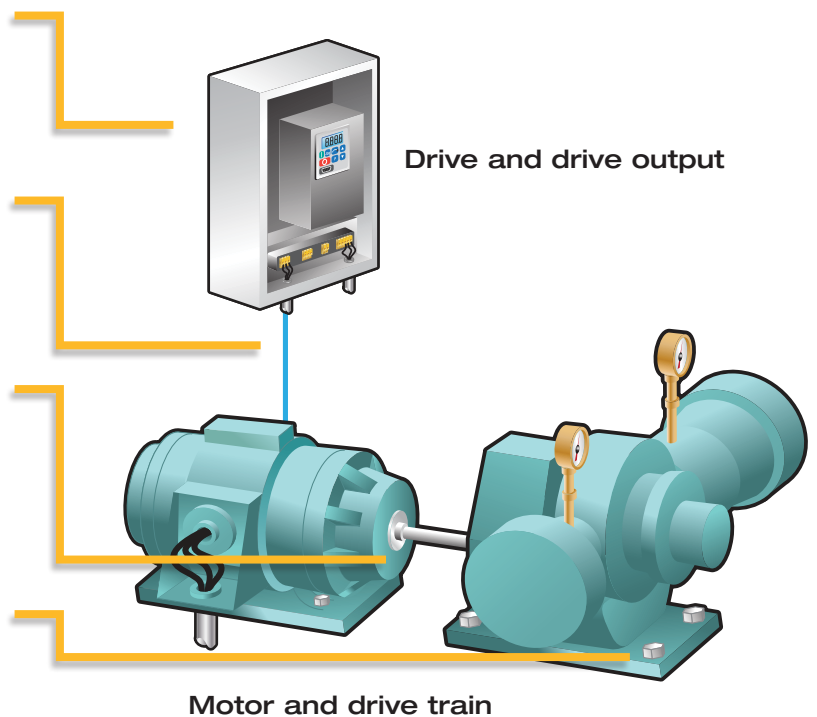
4. Reflections on drive output PWM signals
5. Sigma current
6. Operational overloads

Mechanical

7. Misalignment
8. Shaft imbalance
9. Shaft looseness
10. Bearing wear

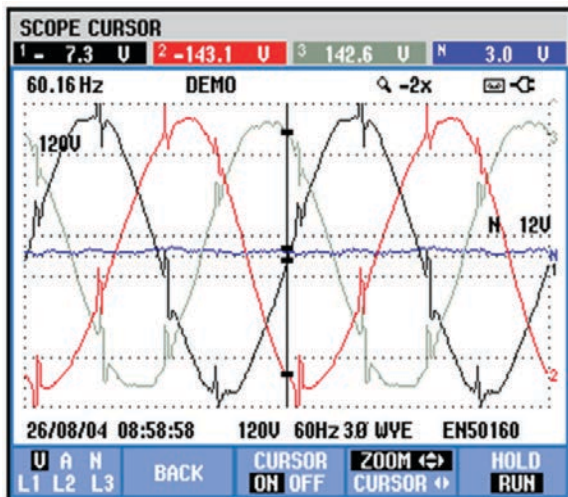
Improper installation factors

11. Soft foot
12. Pipe strain
13. Shaft voltage



Power quality

1 Transient voltage



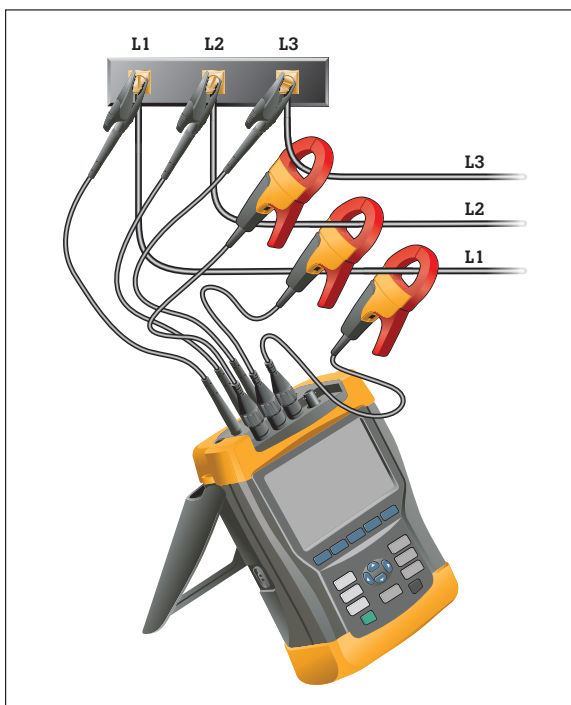
Transient voltages can come from a number of sources either inside or outside of the plant. Adjacent loads turning on or off, power factor correction capacitor banks or even distant weather can generate transient voltages on distribution systems. These transients, which vary in amplitude and frequency, can erode or cause insulation breakdown in motor windings. Finding the source of these transients can be difficult because of the infrequency of the occurrences and the fact that the symptoms can present themselves in different ways. For example, a transient may appear on control cables that don't necessarily cause equipment damage directly, but may disrupt operations.

Impact: Motor winding insulation breakdown leads to early motor failure and unplanned downtime

Instrument to measure and diagnose: Fluke 435-II Three-Phase Power Quality Analyzer

Criticality: High

2 Voltage imbalance



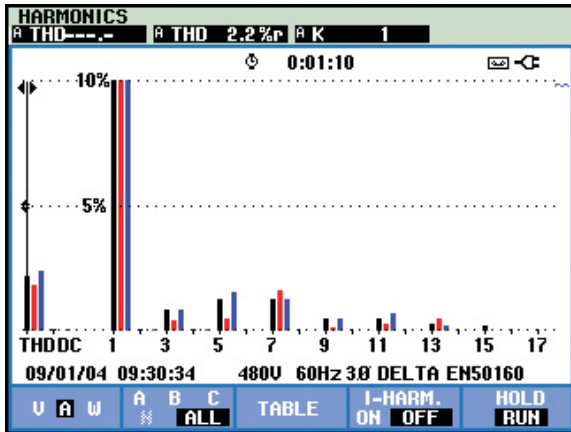
Three-phase distribution systems often serve single-phase loads. An imbalance in impedance or load distribution can contribute to imbalance across all three of the phases. Potential faults may be in the cabling to the motor, the terminations at the motor, and potentially the windings themselves. This imbalance can lead to stresses in each of the phase circuits in a three-phase power system. At the simplest level, all three phases of voltage should always have the same magnitude.

Impact: Imbalance creates excessive current flow in one or more phases that then increases operating temperatures—leading to insulation breakdown

Instrument to measure and diagnose: Fluke 435-II Three-Phase Power Quality Analyzer

Criticality: Medium

3 Harmonic distortion



Simply stated, harmonics are any unwanted additional source of high frequency AC voltages or currents supplying energy to the motor windings. This additional energy is not used to turn the motor shaft but circulates in the windings and ultimately contributes to internal energy losses. These losses dissipate in the form of heat, which, over time, will deteriorate the insulation capability of the windings. Some harmonic distortion of the current is normal on any part of the system serving electronic loads. To start investigating harmonic distortion, use a power quality analyzer to monitor electrical current levels and temperatures at transformers to be sure that they are not overstressed. Each harmonic has a different acceptable level of distortion, which is defined by standards such as IEEE 519-1992.

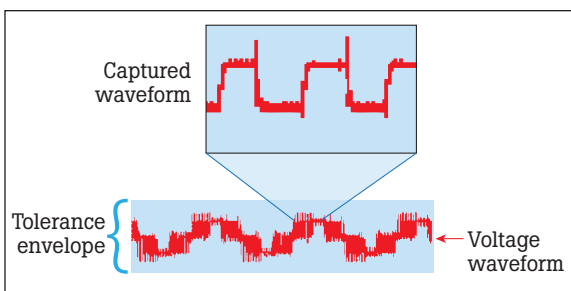
Impact: Decrease in motor efficiency results in added cost and an increase in operating temperatures

Instrument to measure and diagnose: Fluke 435-II Three-Phase Power Quality Analyzer

Criticality: Medium

Variable frequency drives

4 Reflections on drive output PWM signals



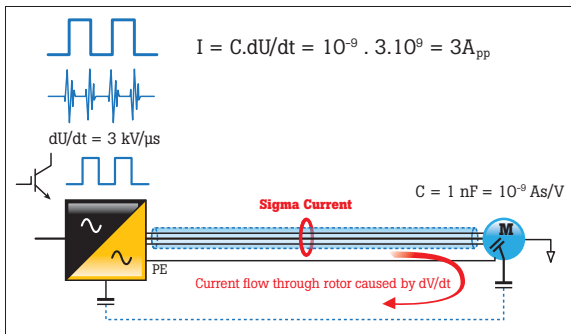
Variable frequency drives employ a pulse width modulation (PWM) technique to control the output voltage and frequency to a motor. Reflections are generated when there is an impedance mismatch between the source and load. Impedance mismatches can occur as a result of improper installation, improper component selection or equipment degradation over time. In a motor drive circuit, the peak of the reflection could be as high as the DC bus voltage level.

Impact: Motor winding insulation breakdown leads to unplanned downtime

Instrument to measure and diagnose: Fluke 190-204 ScopeMeter® fast sampling 4 channel portable oscilloscope, Fluke 1587 Insulation Resistance Tester.

Criticality: High

5 Sigma current



Sigma currents are essentially stray currents that circulate in a system. The sigma currents are created as a result of the signal frequency, voltage level, capacitance and inductance in conductors. These circulating currents can find their way through protective earth systems causing nuisance tripping or in some cases excess heat in windings. Sigma current can be found in the motor cabling and is the sum of the current of the three phases at any one point in time. In a perfect situation, the sum of the three currents would equal zero. In other words, the return current from the drive would be equal to the current to the drive. Sigma current can also be understood as asymmetrical signals in multiple conductors that can capacitively couple currents into the ground conductor.

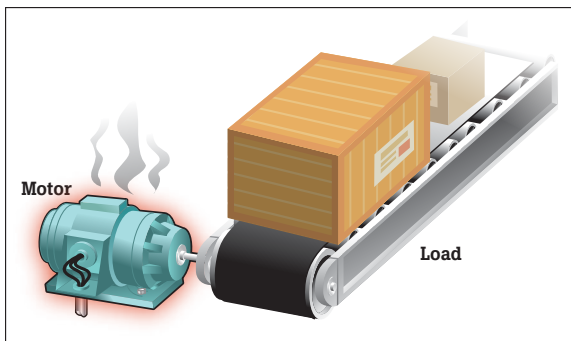
Impact: Mysterious circuit trip due to protective earth current flow

Instrument to measure and diagnose:

Fluke 190-204 ScopeMeter isolated 4 channel portable oscilloscope with wide bandwidth (10kHz) current clamp (Fluke i400S or similar).

Criticality: Low

6 Operational overloads



Motor overload occurs when a motor is under excessive load. The primary symptoms that accompany a motor overload are excessive current draw, insufficient torque and overheating. Excessive motor heat is a major cause of motor failure. In the case of an overloaded motor individual motor components including bearings, motor windings, and other components may be working fine, but the motor will continue to run hot. For this reason, it makes sense to begin your troubleshooting by checking for motor overload. Because 30% of motor failures are caused by overloading, it is important to understand how to measure for and identify motor overloading.

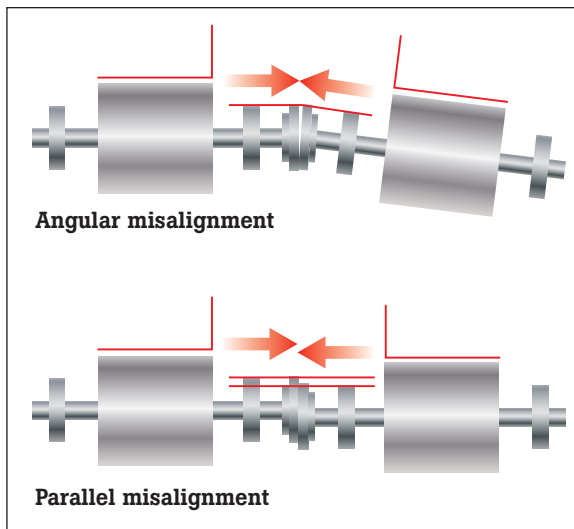
Impact: Premature wear on motor electrical and mechanical components leading to permanent failure

Instrument to measure and diagnose: Fluke Ti400 Infrared Camera, Fluke 289 Digital Multimeter

Criticality: High

Mechanical

7 Misalignment



Misalignment occurs when the motor drive shaft is not in correct alignment with the load, or the component that couples the motor to the load is misaligned. Many professionals believe that a flexible coupling eliminates and compensates for misalignment, but a flexible coupling only protects the coupling from misalignment. Even with a flexible coupling, a misaligned shaft will transmit damaging cyclical forces along the shaft and into the motor, leading to excess wear on the motor and increasing the apparent mechanical load. In addition, misalignment may feed vibration into both the load and the motor drive shaft. There are a few types of misalignment:

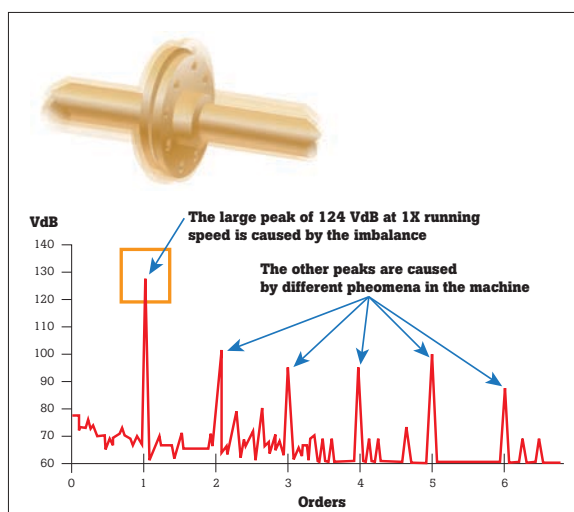
- Angular misalignment: shaft centerlines intersect but are not parallel
- Parallel misalignment: shaft centerlines are parallel but not concentric
- Compound misalignment: a combination of parallel and angular misalignment. (Note: almost all misalignment is compound misalignment, but practitioners talk about misalignment as the two separate types because it is easier to correct a misalignment by addressing the angular and parallel components separately.)

Impact: Premature wear in mechanical drive components that leads to premature failures

Instrument to measure and diagnose: Fluke 810 Vibration Tester to identify potential misalignment issues, Fluke 830 Laser Shaft Alignment Tool to diagnose and correct misalignment

Criticality: High

8 Shaft imbalance



Imbalance is a condition of a rotating part where the center of mass does not lie on the axis of rotation. In other words, there is a "heavy spot" somewhere on the rotor. Although you can never completely eliminate motor imbalance, you can identify when it is out of normal range, and take action to rectify the problem. Imbalance can be caused by numerous factors, including:

- Dirt accumulation
- Missing balance weights
- Manufacturing variations
- Uneven mass in motor windings and other wear-related factors.

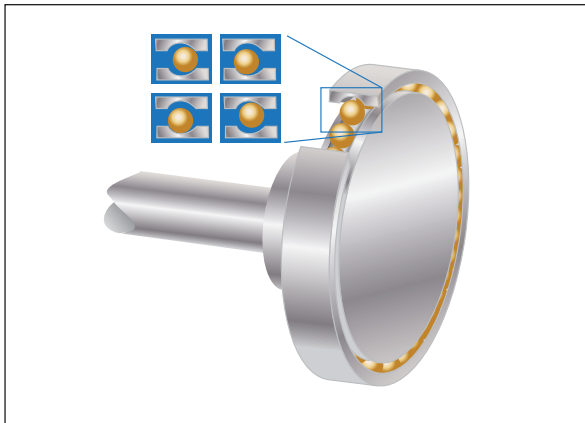
A vibration tester or analyzer can help you determine whether or not a rotating machine is in balance.

Impact: Premature wear in mechanical drive components that leads to premature failures

Instrument to measure and diagnose: Fluke 810 Vibration Tester

Criticality: High

9 Shaft looseness



Looseness occurs when there is excessive clearance between parts. Looseness can occur in several places:

- Rotating looseness is caused by excessive clearance between rotating and stationary elements of the machine, such as in a bearing.
- Non-rotating looseness happens between two normally stationary parts, such as a foot and a foundation, or a bearing housing and a machine.

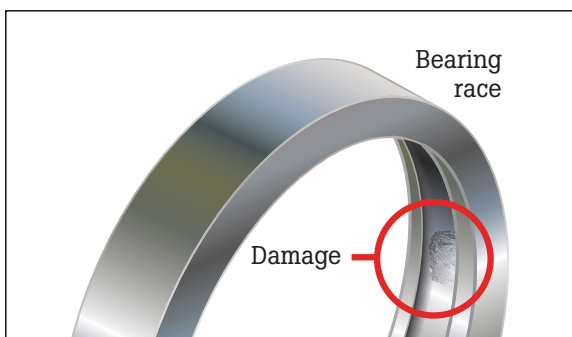
As with all other sources of vibration, it is important to know how to identify looseness and resolve the issue to avoid losing money. A vibration tester or analyzer can determine whether or not a rotating machine is suffering from looseness.

Impact: Accelerated wear on rotating components resulting in mechanical failure

Instrument to measure and diagnose: Fluke 810 Vibration Tester

Criticality: High

10 Bearing wear



A failed bearing has increased drag, emits more heat, and has lower efficiency because of a mechanical, lubrication, or wear problem. Bearing failure can be caused by several things:

- A heavier load than designed for
- Inadequate or incorrect lubrication
- Ineffective bearing sealing
- Shaft misalignment
- Incorrect fit
- Normal wear
- Induced shaft voltages

Once bearing failure begins, it also creates a cascade effect that accelerates motor failure. 13% of motor failures are caused by bearing failure, and more than 60% of the mechanical failures in a facility are caused by bearing wear, so learning how to troubleshoot this potential problem is important.

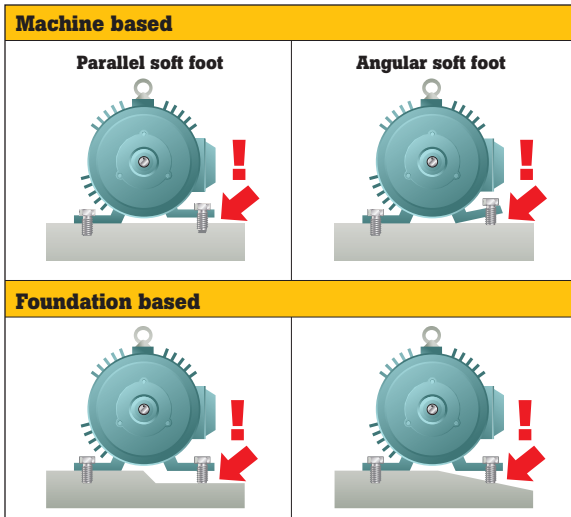
Impact: Accelerated wear on rotating components resulting in bearing failure

Instrument to measure and diagnose: Fluke 810 Vibration Tester

Criticality: High

Improper installation factors

11 Soft foot



Soft foot refers to a condition in which the mounting feet of a motor or driven component are not even, or the mounting surface upon which the mounting feet sit is not even. This condition can create a frustrating situation in which tightening the mounting bolts on the feet actually introduces new strains and misalignment. Soft foot is often manifested between two diagonally positioned mounting bolts, similar to the way that an uneven chair or table tends to rock in a diagonal direction. There are two kinds of soft foot:

- **Parallel soft foot**—parallel soft foot occurs when one of the mounting feet sits higher than the other three
- **Angular soft foot**—angular soft foot occurs when one of the mounting feet is not parallel or “normal” to the mounting surface.

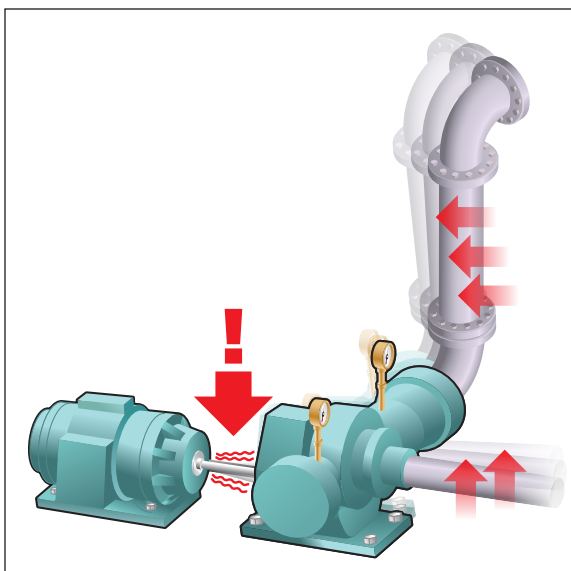
In both cases, soft foot can be caused either by an irregularity in the machine mounting feet, or in the mounting foundation upon which the feet rest. In either case, any soft foot condition must be discovered and remedied before proper shaft alignment can be achieved. A quality laser alignment tool can typically determine whether or not there is a soft foot problem on a particular rotating machine.

Impact: Misalignment of mechanical drive components

Instrument to measure and diagnose: Fluke 830 Laser Shaft Alignment Tool

Criticality: Medium

12 Pipe strain



Pipe strain refers to the condition in which new stresses, strains, and forces, acting on the rest of the equipment and infrastructure transfer backward onto the motor and drive to induce a misalignment condition. The most common example of this is in simple motor/pump combinations, where something applies force to the pipeworks such as:

- A shift in the foundation
- A newly installed valve or other component
- An object striking, bending, or simply pressing on a pipe
- Broken or lack-of pipe hangers or wall-mounting hardware

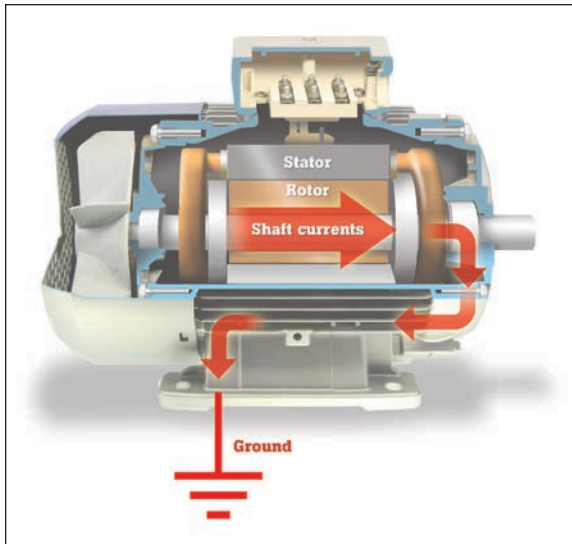
Those forces can put an angular or offset force on the pump, which in turn causes the motor/pump shaft to be misaligned. For this reason it is important to check machine alignment more than just at the time of installation—precision alignment is a temporary condition that can change over time.

Impact: Shaft misalignment and subsequent stresses on rotating components, leading the premature failures.

Instrument to measure and diagnose: Fluke 830 Laser Shaft Alignment Tool

Criticality: Low

13 Shaft voltage



When motor shaft voltages exceed the insulating capability of the bearing grease, flashover currents to the outer bearing will occur, thereby causing pitting and grooving to the bearing races. The first signs of this problem will be noise and overheating as the bearings begin to lose their original shape and metal fragments mix with the grease and increase bearing friction. This can lead to bearing destruction within a few months of motor operation. Bearing failure is an expensive problem both in terms of motor repair and downtime, so helping to prevent this by measuring shaft voltage and bearing current is an important diagnostic step. Shaft voltage is only present while the motor is energized and rotating. A carbon brush probe attachment allows you to measure shaft voltage while a motor is rotating.

Impact: Arcing across bearing surfaces create pitting and fluting resulting in excessive vibration and eventual bearing failure

Instrument to measure and diagnose:

Fluke-190-204 ScopeMeter isolated 4-channel portable oscilloscope, with AEGIS shaft voltage carbon brush probe.

Criticality: High

Four strategies for success

Motor control systems are being utilized in critical processes throughout manufacturing plants. Equipment failure can result in high monetary losses both from potential motor, or parts, replacement and from equipment downtime for the system the motor powers. Arming maintenance engineers and technicians with the right knowledge, prioritizing workload and managing preventative maintenance to monitor equipment and troubleshoot intermittent, elusive problems can, in some cases, avoid failures due to normal system operating stresses and reduce overall downtime costs.

There are four key strategies that you can undertake to restore or prevent premature failures in motor drive and rotating component:

1. Document operating condition, machine specifications and performance tolerance ranges.
2. Capture and document critical measurements at installation, before and after maintenance and on a routine basis.
3. Create an archive reference of measurements to facilitate trend analysis and identify change of state conditions.
4. Plot individual measurements to establish a baseline trend. Any change in trend line of more than +/- 10% to 20% (or any other % determined, based on your system performance or criticality) should be investigated to root cause to understand why the issue is occurring.

Fluke. *Keeping your world up and running.*®

Fluke Corporation
PO Box 9090, Everett, WA 98206 U.S.A.

Fluke Europe B.V.
PO Box 1186, 5602 BD
Eindhoven, The Netherlands

For more information call:
In the U.S.A. (800) 443-5853 or
Fax (425) 446-5116
In Europe/M-East/Africa +31 (0) 40 2675 200 or
Fax +31 (0) 40 2675 222
In Canada (800)-36-FLUKE or
Fax (905) 890-6866
From other countries +1 (425) 446-5500 or
Fax +1 (425) 446-5116
Web access: <http://www.fluke.com>

©2014 Fluke Corporation.
Specifications subject to change without notice.
Printed in U.S.A. 11/2014 6004135b-en

Modification of this document is not permitted without written permission from Fluke Corporation.